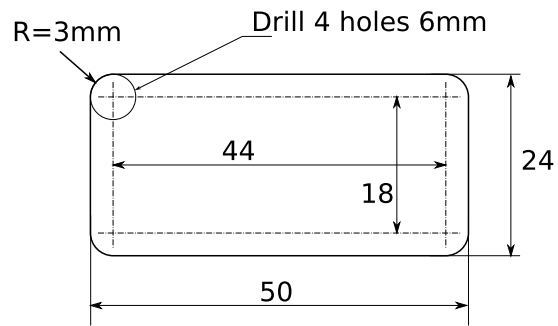


# H2 installation Cuttings

## Jack panel



## H2 unit

